

4

3

2

1

4" VACUUM PORT EXITS
AT REAR OF TABLE
ALLOW ROOM FOR
PIPE AND FITTINGS

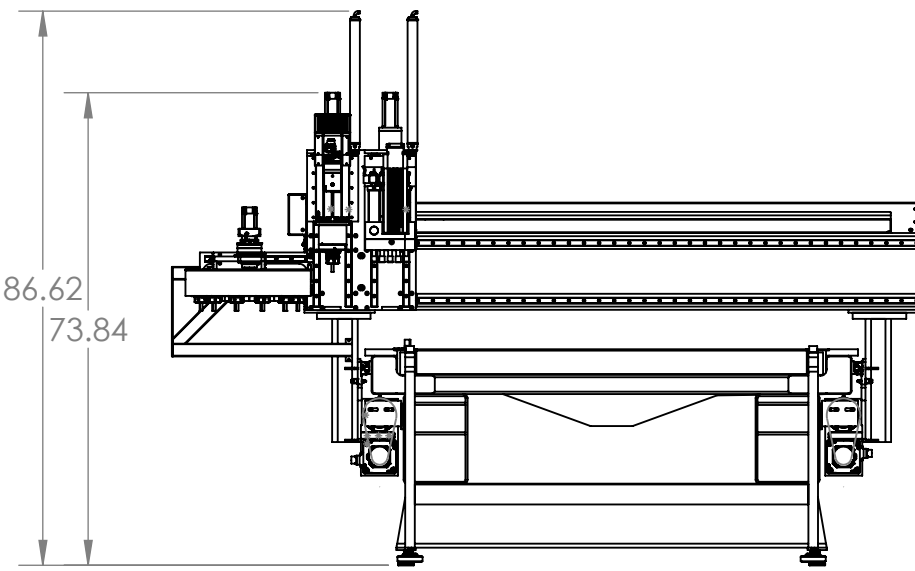
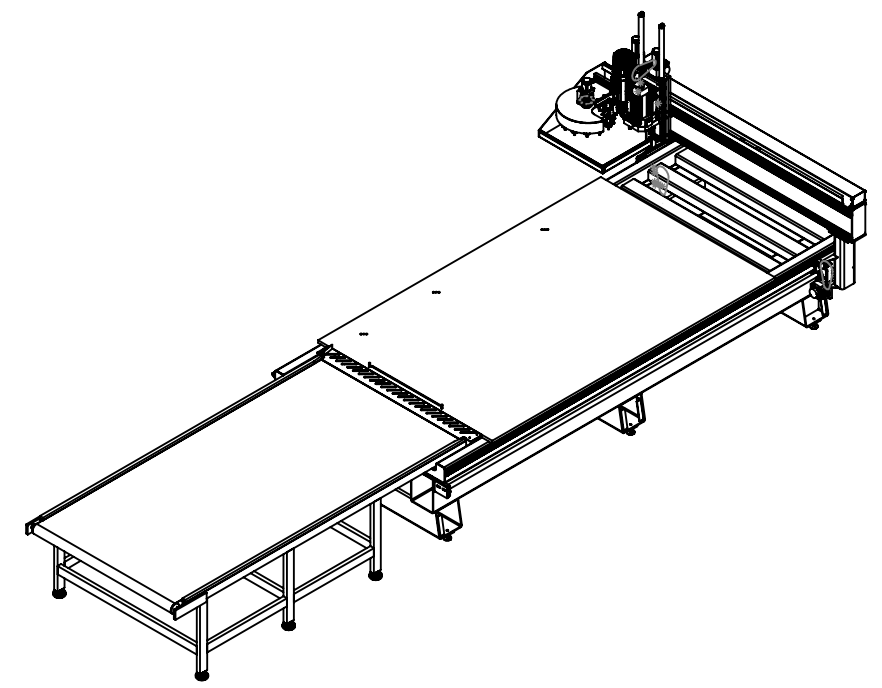
116.68
OPERATING WIDTH
98.50
SHIPPING WIDTH

179.00
SHIPPING LENGTH

181.47
AT MAX TRAVEL

293.50

86.62
73.84



DIMENSIONS SHOWN SUBJECT TO CHANGE
MACHINE IN PROTOTYPE STAGE 11/2023

| | | | |
|-----------------------------|---|-----------|--------------|
| UNLESS OTHERWISE SPECIFIED: | | NAME | DATE |
| DIMENSIONS ARE IN INCHES | | DRAWN | NE 12/7/2023 |
| TOLERANCES: | | CHECKED | |
| FRACTIONAL ± .03 | | ENG APPR. | |
| ANGULAR: ± 2 DEG | | MFG APPR. | |
| TWO PLACE DECIMAL ± .015 | | Q.A. | |
| THREE PLACE DECIMAL ± .005 | | COMMENTS: | |
| MATERIAL | INTERPRET GEOMETRIC TOLERANCING PER: ASME Y14.5 | | |
| FINISH | | | |
| DO NOT SCALE DRAWING | | | |



| | | |
|---------------------|----------|--------------|
| TITLE: | | |
| CM510 FULL ASSEMBLY | | |
| SIZE | DWG. NO. | REV |
| B | | |
| SCALE: 1:48 | WEIGHT: | SHEET 1 OF 1 |

PROPRIETARY AND CONFIDENTIAL
THE INFORMATION CONTAINED IN THIS
DRAWING IS THE SOLE PROPERTY OF
SHOPSABRE. ANY REPRODUCTION IN
PART OR AS A WHOLE WITHOUT THE
WRITTEN PERMISSION OF SHOPSABRE
IS STRICTLY PROHIBITED.

4

3

2

1

B

B

A

A