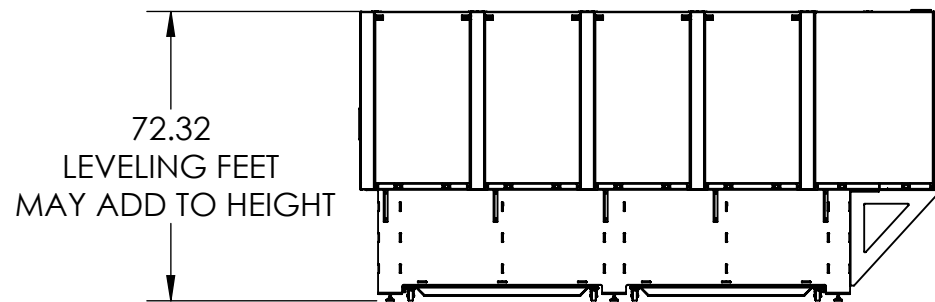
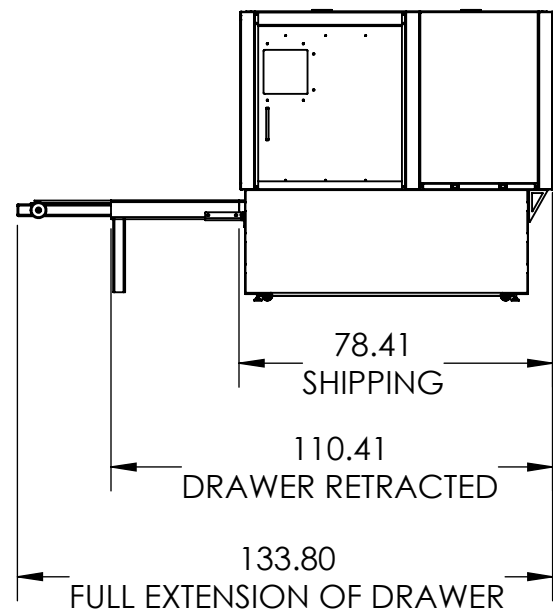
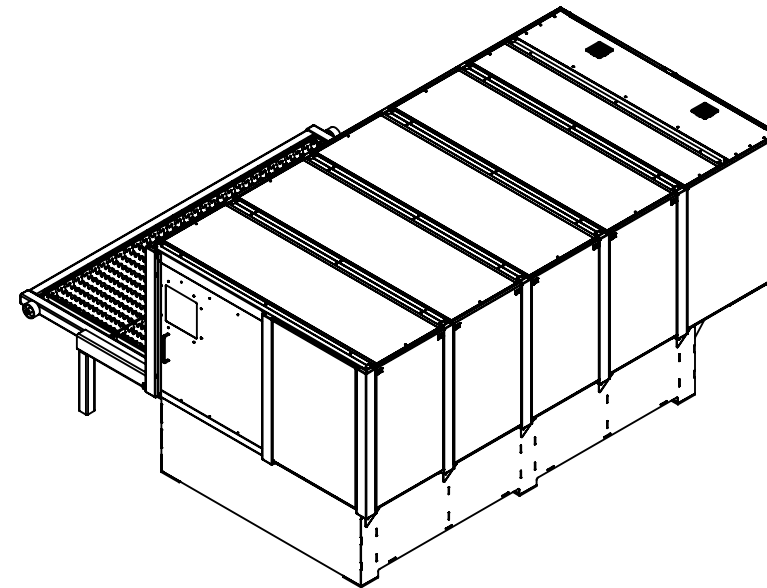
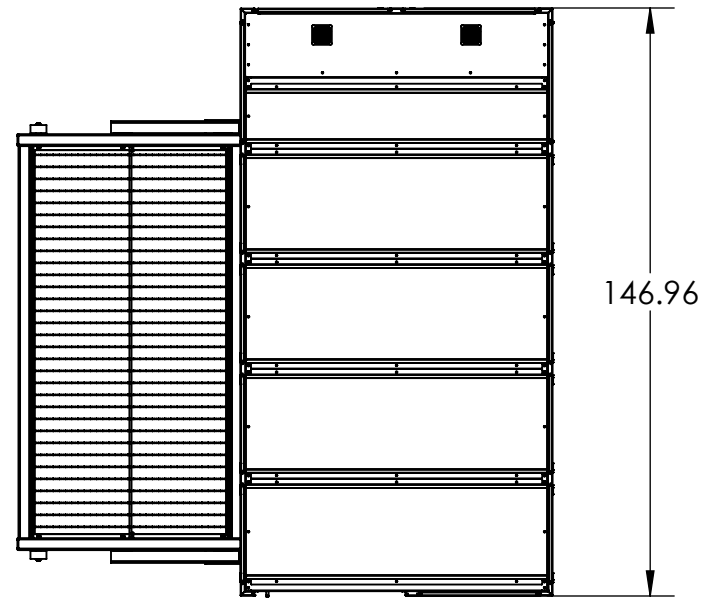


4

3

2

1



UNLESS OTHERWISE SPECIFIED:		NAME	DATE	ShopsABRE <small>a N.A.C.S.L. Company</small> <i>"The Way CNC Has Meant to Be"</i>
DIMENSIONS ARE IN INCHES		DRAWN	SA	
TOLERANCES:		CHECKED		TITLE:
FRACTIONAL ± .03		ENG APPR.		FL408
ANGULAR: ± 2 DEG		MFG APPR.		
TWO PLACE DECIMAL ± .015		Q.A.		SIZE DWG. NO. REV
THREE PLACE DECIMAL ± .005		COMMENTS:		B 1 1
MATERIAL				SCALE: 1:48 WEIGHT: SHEET 1 OF 1
FINISH				
DO NOT SCALE DRAWING				

PROPRIETARY AND CONFIDENTIAL
THE INFORMATION CONTAINED IN THIS DRAWING IS THE SOLE PROPERTY OF SHOPSABRE. ANY REPRODUCTION IN PART OR AS A WHOLE WITHOUT THE WRITTEN PERMISSION OF SHOPSABRE IS STRICTLY PROHIBITED.

B

B

A

A

4

3

2

1